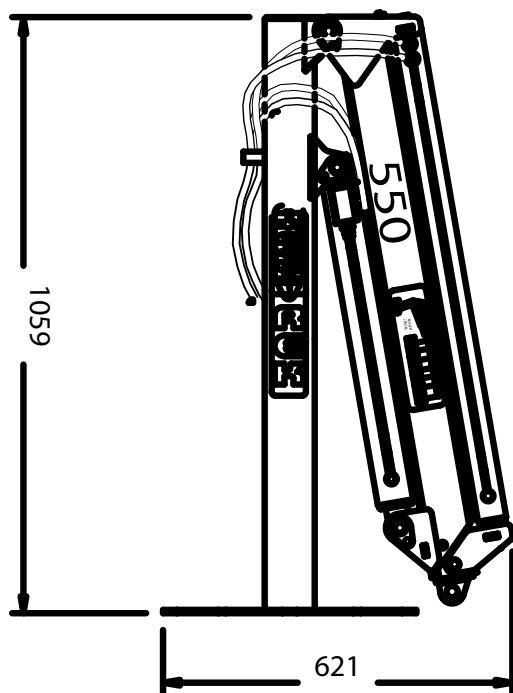


KEVREK CRANES

MODEL 550



STANDARD FEATURES

- * AUSTRALIAN DESIGNED & MANUFACTURED
- * MANUAL CRANK SLEW-330 ROTATION
- * HYDRAULIC BOOM RAISE/LOWER
- * 1 HYDRAULIC EXTENDING BOOM TO 1.8M
- * 1 MANUAL EXTENDING BOOM TO 2.6M
- * 1 MANUAL/PIN STABILISER LEG
- * ALL MOUNTING HARDWARE
- * 12/24 VOLT D/C ELEC/HYD POWER PACK

TECHNICAL SPECIFICATIONS

CAPACITY CLASS	_____	5.88KnM (0.60TM)
STD HYDRAULIC OUTREACH	_____	1.8M
MANUAL OUTREACH	_____	2.6M
REACH ABOVE TRAY (STD)	_____	3.23M
SLEWING ANGLE	_____	330
OIL TANK CAPACITY	_____	3 LITRES
WORKING PRESSURE	_____	2250 PSI
COMPLETE WEIGHT	_____	110Kg
PUMP-D/C POWER PACK	_____	12/24V
PUMP CAPACITY	_____	4.9>7.0 L/MIN
PWR CONSUMPTION 12V	_____	50/150 AMPS
PWR CONSUMPTION 24V	_____	50/90 AMPS
SLEW	_____	MANUAL CRANK
FITTING SPACE	_____	621x450mm
FOLDED HEIGHT	_____	1059mm